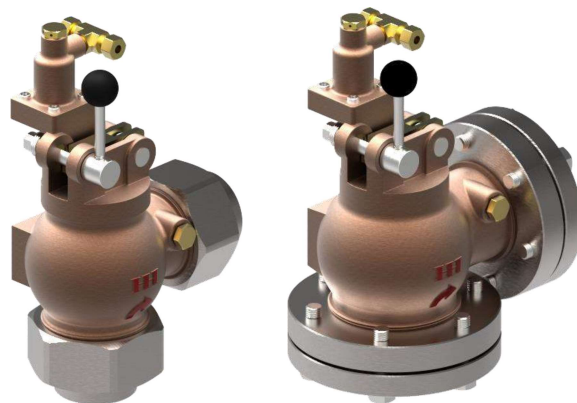


SELECTOR VALVE

P/N: MSV-32/40/50/65/80/100/125/150

DESCRIPTION

When the system protects multiple hazard zones, the selector valve is used to direct the flow of extinguishing agent from the designated agent cylinder(s) to the corresponding protected enclosure during system discharge. The selector valve is normally locked at closed position. Pressure of the actuating gas that is released from the pilot cylinder and enters the pneumatic actuator via the selector valve tee is used to unlock the spindle. Discharged extinguishing agent entering the inlet side lifts the spindle leaving the selector valve open. After system discharge, the spindle rubber seals must be inspected, and the selector valve manually reset to normal position prior to putting to service. The selector valve is fitted with a release lever that enables manual unlocking of the spindle. Selector valve size 32 mm and 40 mm are fixed to the manifold/piping via the hex union nuts while size 50/65/80/100/125/150 mm are fixed to the manifold/piping via the flanges hex bolts



P/N: MSV-32/40

P/N: MSV-50/65/80/100/125/150

TECHNICAL INFORMATION

Approvals UL, FM

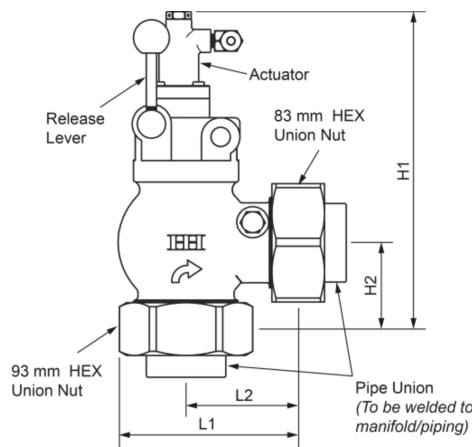
Material

- Body Bronze Casting (BC6)
- Spindle Brass (C3604)
- Release Lever Stainless Steel (STS304)
- Rubber Seals NBR
- Union Nut (In/Out) Carbon Steel (SM45C)
- Pipe Union (In/Out) Carbon Steel (SS400)
- Valve Flange (In/Out) Carbon Steel (SM45C)
- Pipe Counter Flange (In/Out) Carbon Steel (SM45C)

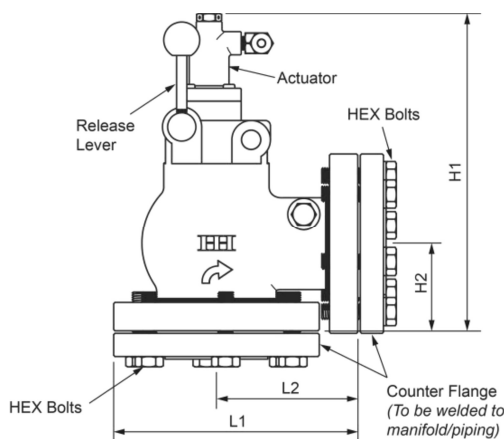
Hydrostatically tested at 137.8 bar (2000 psi)

ORDERING INFORMATION

Specify part number and description when ordering.



P/N: MSV-32/40



P/N: MSV-50/65/80/100/125/150

Model No. (P/N)	ID In/Out, mm (in)	Weight, kg (lb)	L1, mm (in)	L2, mm (in)	H1, mm (in)	H2, mm (in)	HEX Bolt Size, mm (in)
MSV-32	32 (1-1/4)	10.9 (24.0)	142 (5.6)	90 (3.5)	249 (9.8)	70 (2.8)	N.A.
MSV-40	40 (1-1/2)	10.2 (22.5)	142 (5.6)	90 (3.5)	249 (9.8)	70 (2.8)	N.A.
MSV-50	50 (2)	18.1 (40.0)	190 (7.5)	110 (4.3)	247 (9.7)	68 (2.7)	19 (3/4)
MSV-65	65 (2-1/2)	25.3 (55.8)	215 (8.5)	125 (5)	286 (11.3)	85 (3.3)	19 (3/4)
MSV-80	80 (3)	38.2 (84.2)	240 (9.4)	140 (5.5)	328 (12.9)	110 (4.3)	24 (15/16)
MSV-100	100 (4)	67.3 (148.4)	288 (11.3)	175 (6.9)	396 (15.6)	135 (5.3)	30 (1 1/8)
MSV-125	125 (5)	98.7 (217.6)	350 (13.8)	200 (7.9)	438 (17.2)	158 (6.2)	30 (1 1/8)
MSV-150	150 (6)	136.7 (301.4)	395 (15.6)	230 (9.0)	461 (18.1)	168 (6.6)	36 (1 7/16)

Actual product may differ from the images shown.